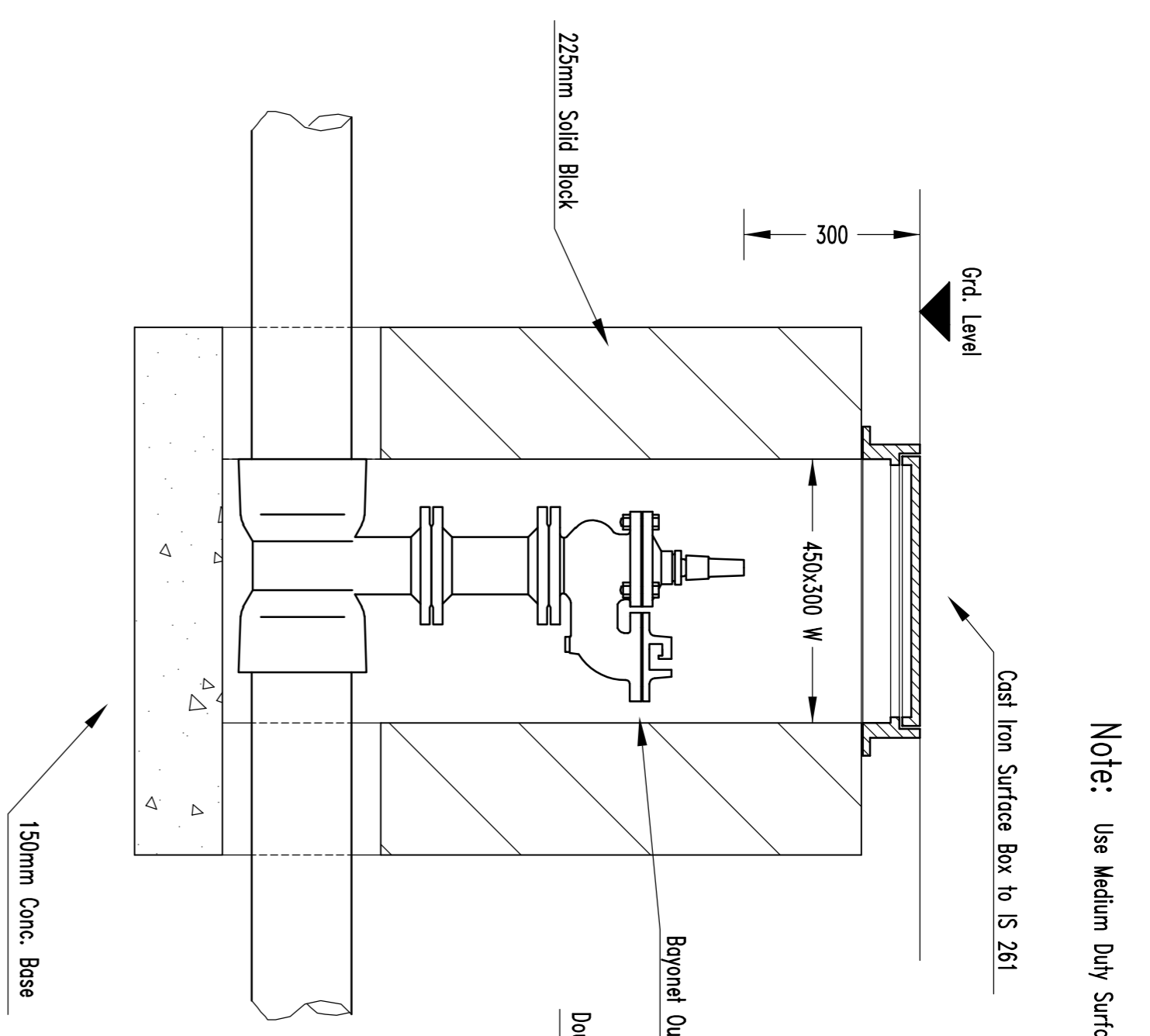
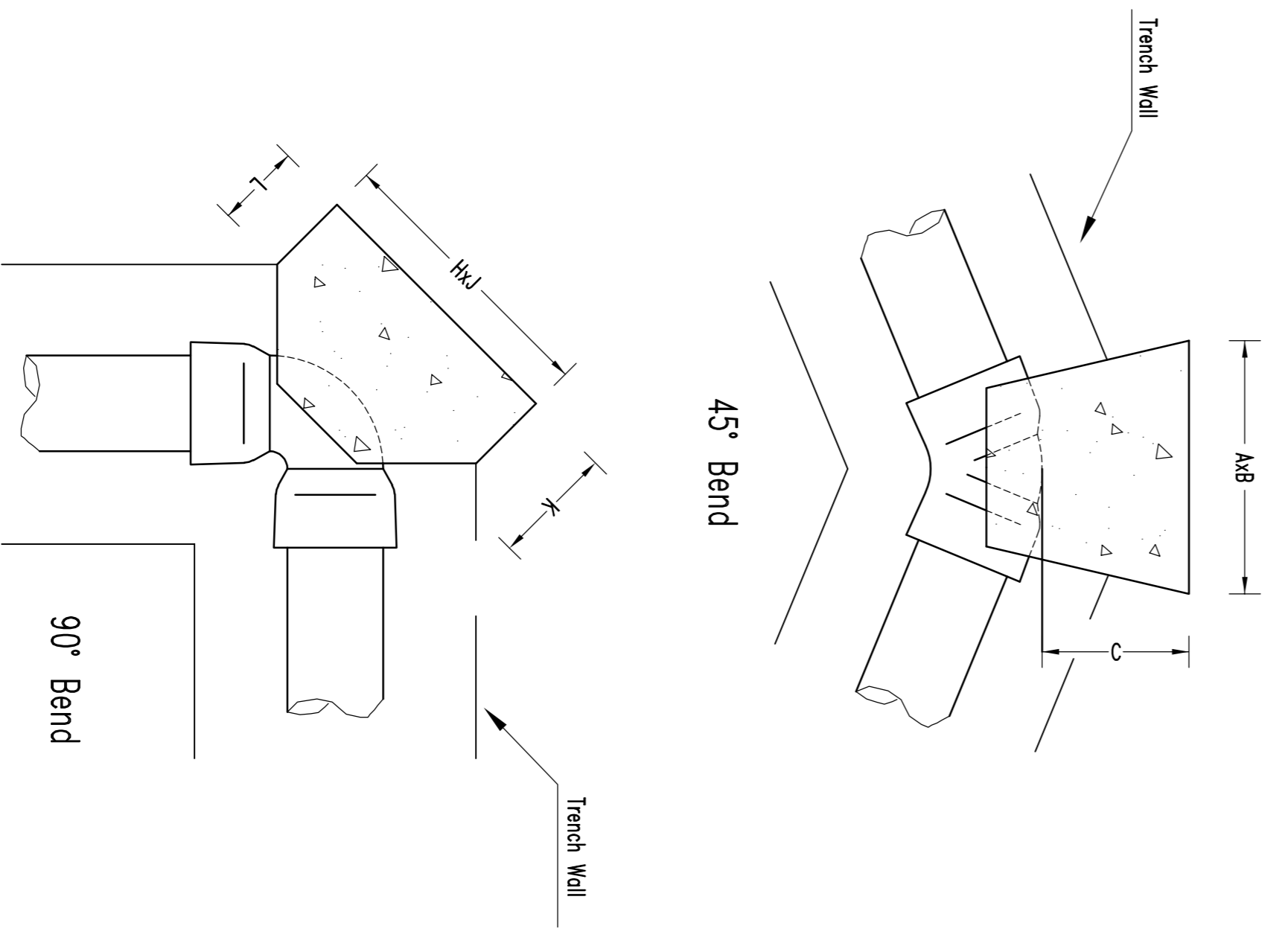


Pipe $\phi$	Trench Width
100	450
150	500
200	550
225	600
250	650
300	700

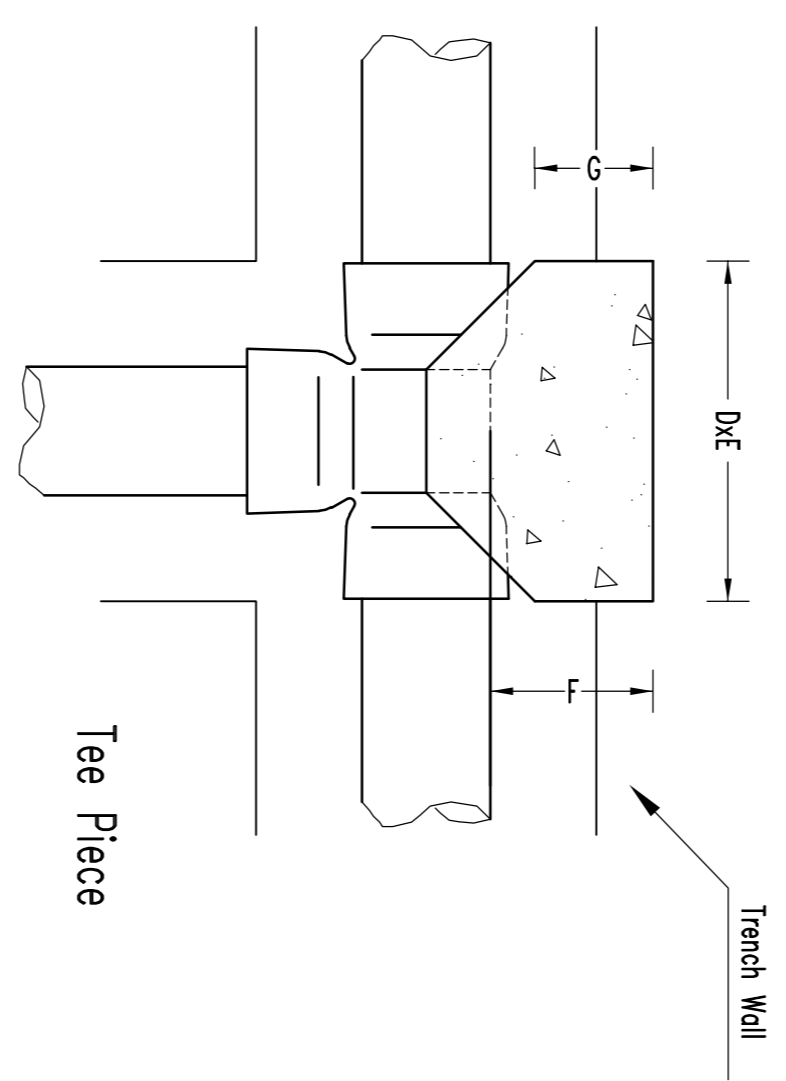
**Note:**  
In Rock or Mixed Soils Containing Rock Bands, Boulders, Large Flints, Stones or other Irregular Hard Spots the Depth of the Bed is to be 200mm.

**Watermain Trench Detail**



**Note:** Use Medium Duty Surface Boxes in Crossed Areas, Heavy Duty in Trafficked Areas

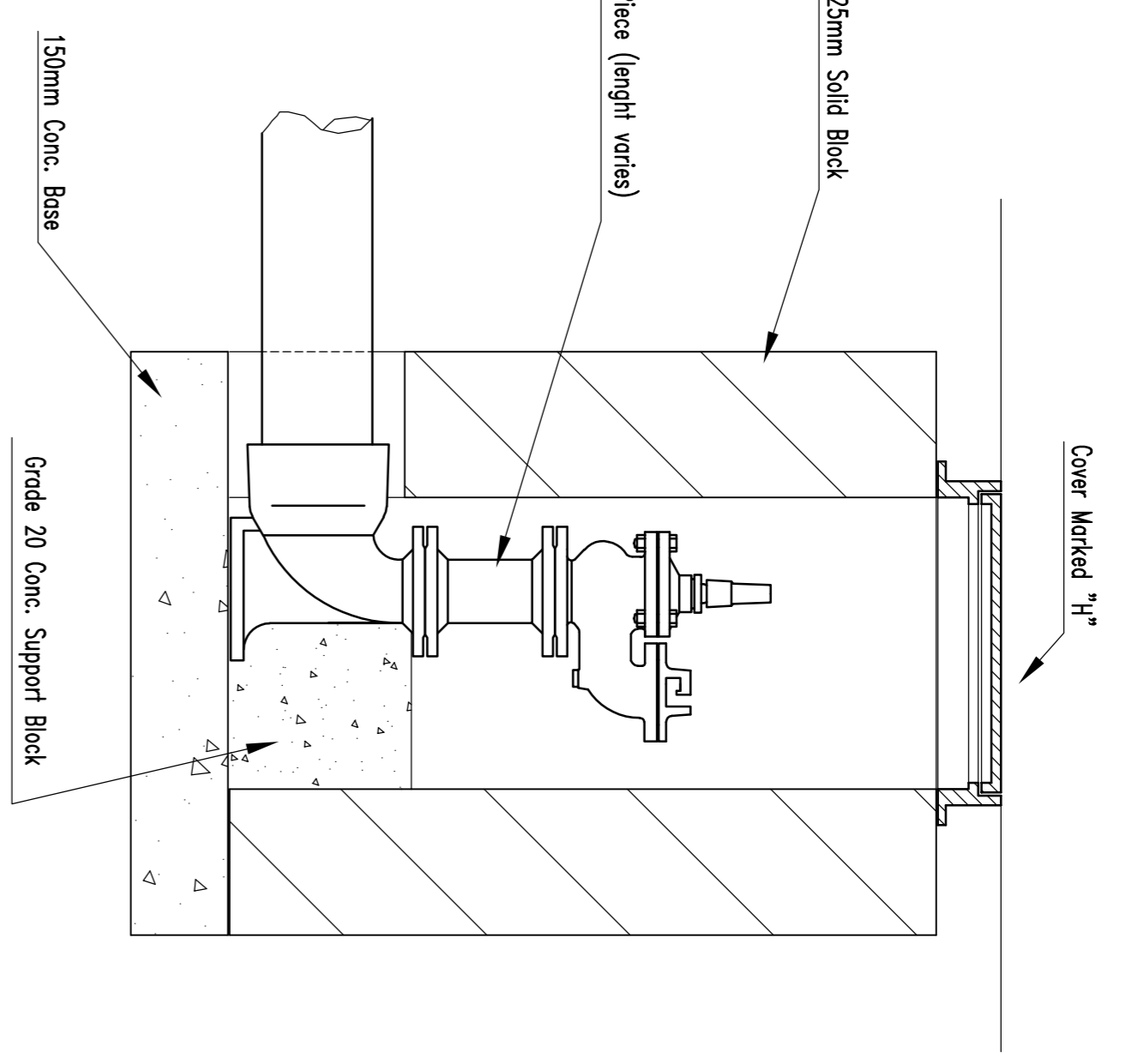
**Detail of Fire Hydrant**



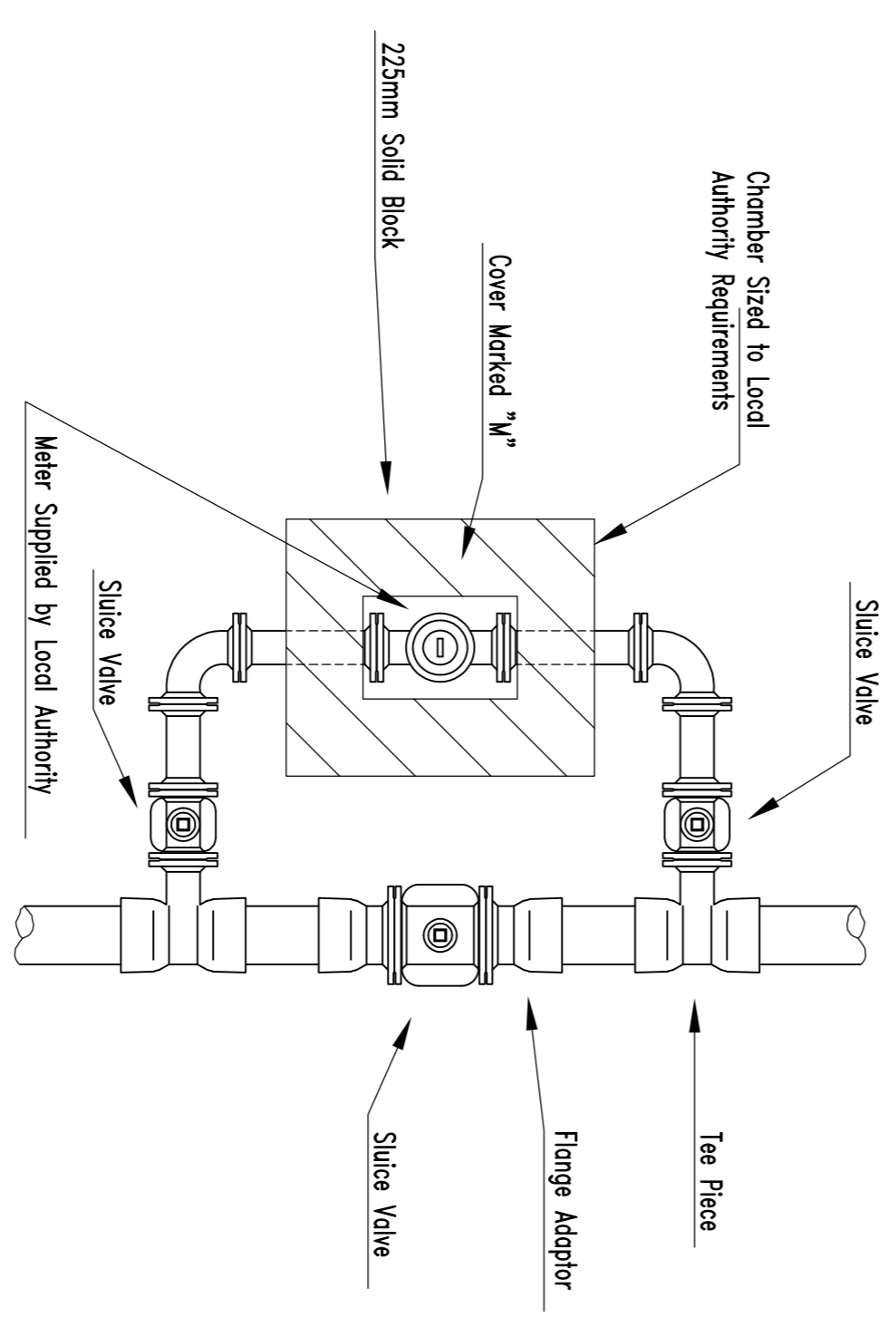
**Tee Piece**

Pipe $\phi$	45° Bend	Tee Piece	90° Bend
	AxB	DxE	HxJ
150	700x500	350	890x500
200	890x700	350	1170x700
			150
			250
			320
			200

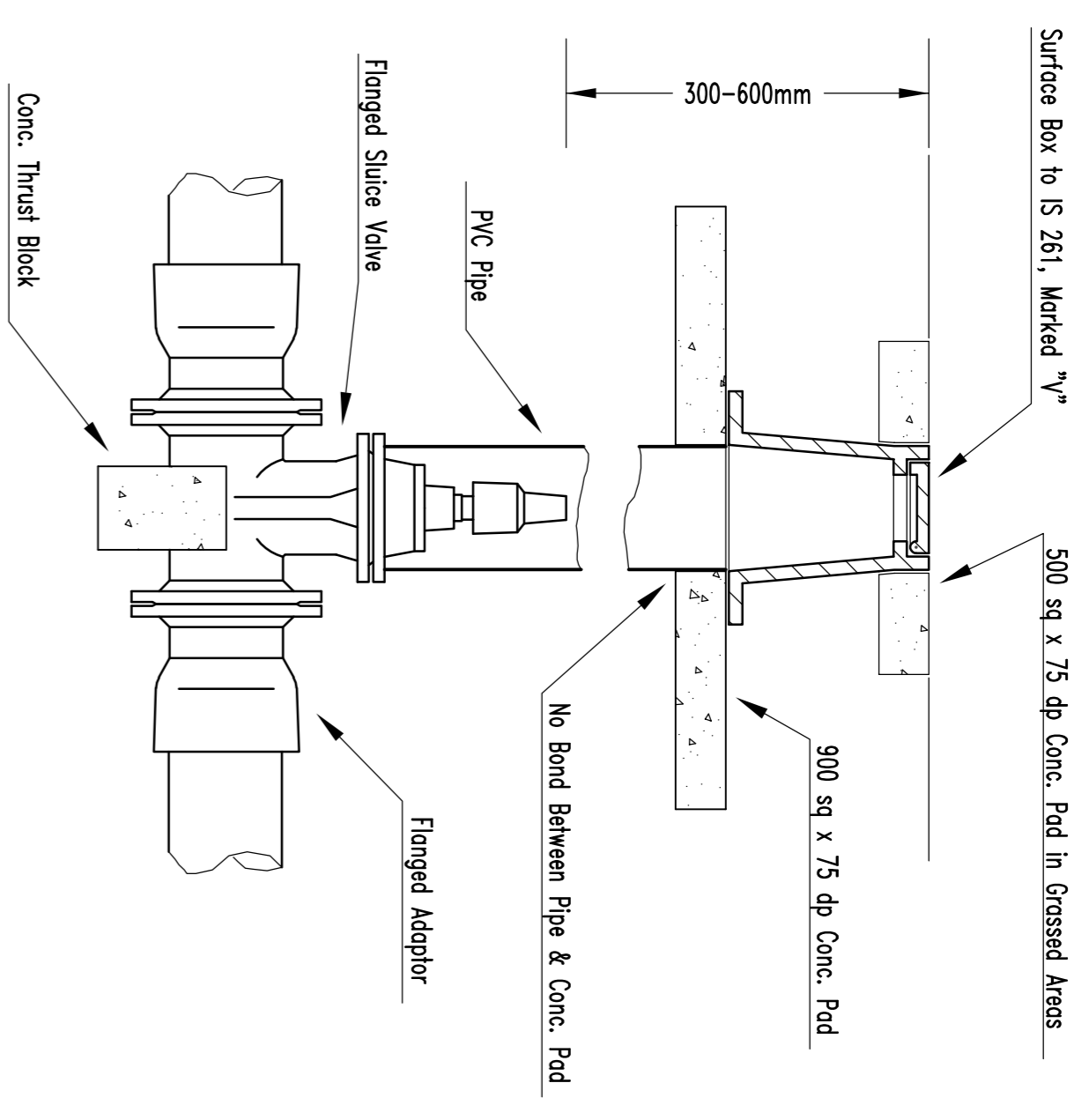
**Thrust Block Details**



**Detail of Duckfoot Fire Hydrant**

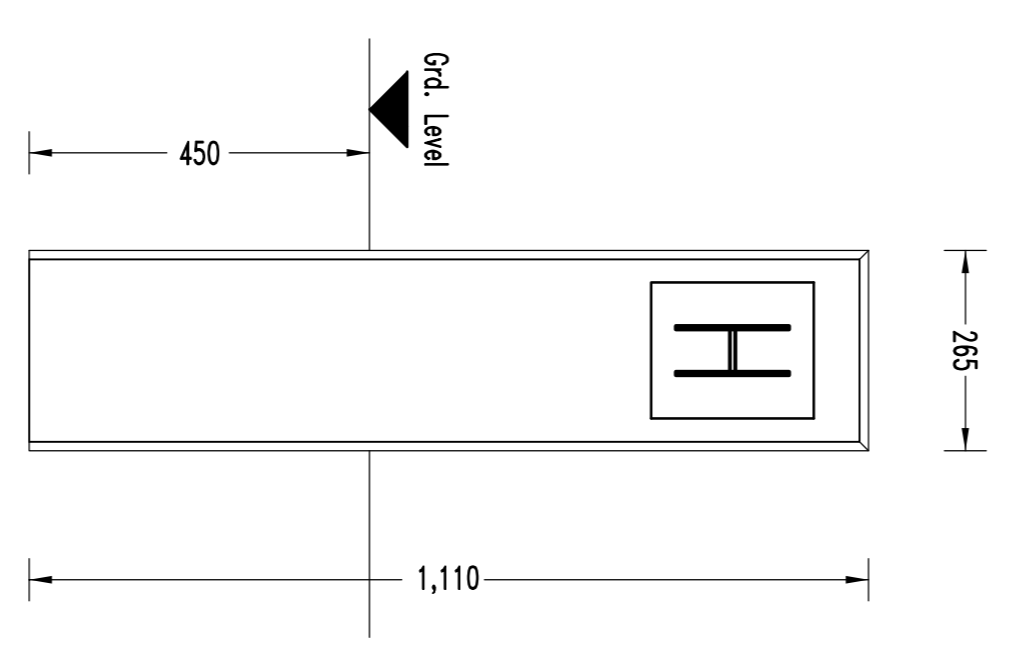


**Detail of Water Meter By-Pass**

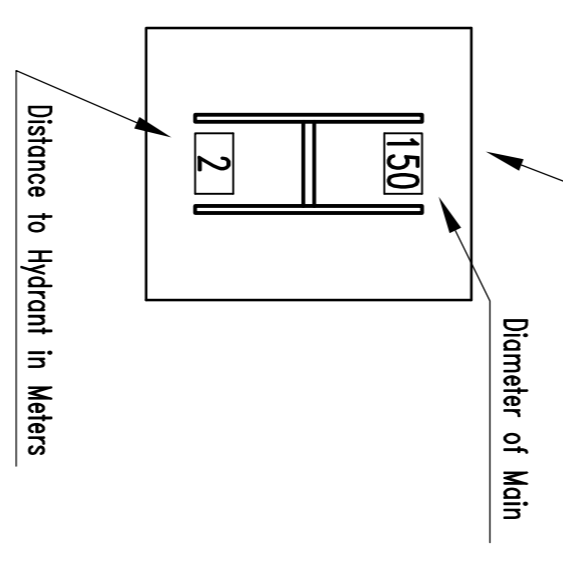


**Detail of Sluice Valve**

**Note:** Plate Marked SV for Sluice Valve  
Plate Marked M for Meter By-Pass  
180x205mm Hydrant Indicator  
Plate to BS 3251



**Detail of Conc. Indicator Posts**



<p>Project No: PL3 (16-06-21) D05</p> <p>Work Title: SHD PLANNING ISSUE</p> <p>Client: SHD PLANNING ISSUE</p> <p>Scale: As Shown</p> <p>Revision: 01</p>	<p>Drawn: [Name]</p> <p>Checked: [Name]</p> <p>Approved: [Name]</p> <p>Date: 17-12-19</p>
<p>Project Title: RESIDENTIAL DEVELOPMENT AT SECTOR 3, AIKEN'S VILLAGE, STEPASIDE, Co. DUBLIN</p>	<p>Watermain Details</p>
<p>Architect/Client: FERREIRA ARCHITECTS</p>	<p>Engineer/Client: KAVANNAGH BURKE CONSULTING ENGINEERS</p>
<p>Contact: 01-450 0694 01-428 4340 Email: p.kavannagh@kavannaghburke.com</p>	<p>Contact: Unit C3, Calmount Park, Ballymount, Dublin 12</p>
<p>Scale: NTS</p>	<p>Sheet No: D1636</p>
<p>Job No: D6</p>	<p>Revision: PL3</p>